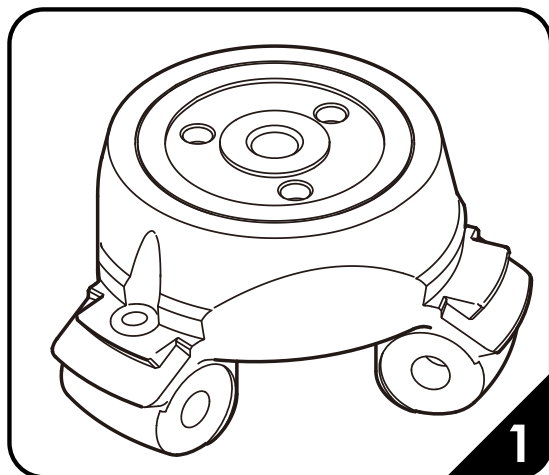


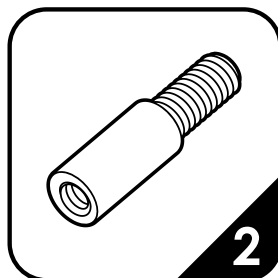
# Markins® Tripod Hub User's Manual

Markins Tripod Hub is a tuning kit developed to improve the performance of Gitzo tripod. It reduces vibration and reduces size and weight to improve portability by enabling to remove center column. It allows the legs to spread low to the ground level for better macro-photography without raising the center column. With built-in spirit level, it is easy to level the tripod. Ergonomic design and hard-anodized finish will enhance the style of your tripod even better. Installation is simple, but please read the entire manual carefully.

## Names of the Components



1. Tripod Hub
2. Head Mounting Bolt



## Applicable Models

TH-20 / 2 Series - Mountaineer, Systematic

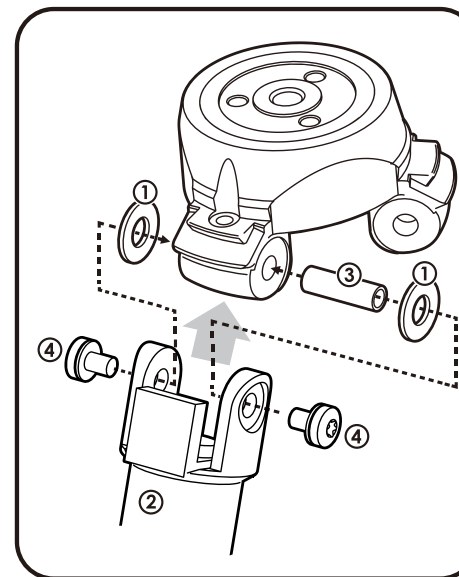
TH-30, TH-300 / 3 Series - Mountaineer, Systematic

## General Warning

1. Use the special tool (T-25 Star Wrench) that comes with tripod. For some models of Gitzo tripods, it could be a different tool than the T-25 Star Wrench.
2. The manufacturer is not responsible for misusing tools or wrong assembly.
3. Do not clean or remove the lubricant from the original bolts.

## Installing Tripod Hub

Disassemble the legs using the special tool (T-25 Star Wrench) that comes with tripod by turning the bolts counter-clockwise direction.

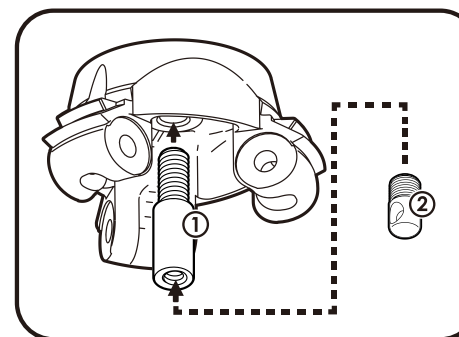


- 1) Insert two washers on both sides (fig. 1).
- 2) Insert a leg while keeping the washers in place.
- 3) Insert the pipe in the hole and keep it at the center (fig. 3).
- 4) Screw on the two bolts. Tighten the bolts alternating fashion.
- 5) Repeat the same for the other two legs.

### ※ Fine Tuning

Tighten the bolts to your desired pressure. The legs shouldn't creep down by their own weights. If they are too loose, they are vulnerable to vibration. If they are too tight, it will be difficult to operate.

## Installing Head Mounting Bolt and Optional Hook



- 1) Screw on the head mounting bolt from bottom and tighten it securely.
- 2) Optional hook (sold separately) can be screwed on.

※ Mountaineer and Systematic are trade marks of Gitzo.

※ All specifications and physical appearances are subject to change without notice.

Copyrights(c) 2004 Markins, Inc. All right reserved. Rev-1:K116

※ Patent pending