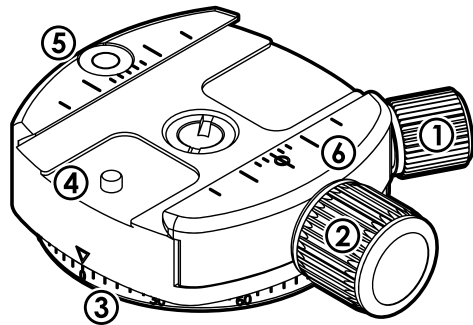


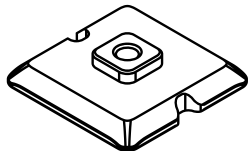
Markins® Panorama Quickshoe User's Manual

Names of the Components



1. Panorama locking knob
2. Plate locking knob
3. Panorama base (5' index)
4. Plate stopper
5. Bubble level
6. Quick shoe index

Parts included



Adapter Plate <PE-1>



Screw Cap



M6 Bolt



4mm hex key wrench

Cautions

To prevent injury or damage of the equipments, please follow the cautions below.

1. Always check if the quick shoe securely holds the given plate before use
2. It is recommended to keep it locked from rotation unless using panoramic function.
3. Please pay more attention for safety in vertical panorama.
4. Keep the clamp jaw closed for long term storage or transportation
5. Do not apply excessive torque on knobs using tools
6. Do not apply shock
7. Do not disassemble
8. Pay proper attention to prevent foreign materials or sand from getting in
9. Wipe clean after being exposed to salt water
10. Keep out of reach of children

Installation

The panorama quick shoe can be installed directly at the ball of our Q-Ball i-Type ball head.

A plate adaptor(PE-1) is provided for using it on the existing dovetail quick shoe.

1. Insert extruded square part of the ball or plate adaptor into the socket under the panorama base.
2. Tighten the M6 bolt from the top using a 4mm hex key wrench.
3. Insert the screw cap using a coin.

* Lock the ball head before installation.

